



Installation instructions for PZ4AL-01952-00

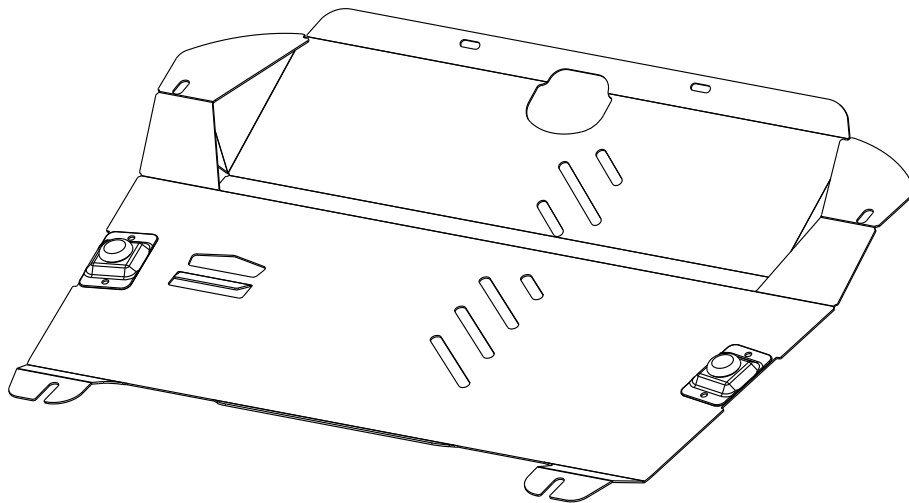
Lexus RX 270

Under Run Protective Shield engine bay and transmission case



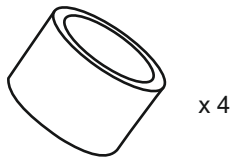
Model Year:	2010
Vehicle Code:	AGL10L-AWTGKW
Part Number:	PZ4AL-01952-00
 Weight:	9.79 kg
 InstallationTime:	20 min

A

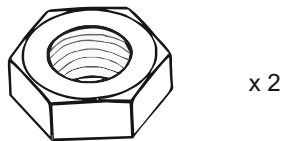


PZ4AL-01622-60

B



C



D



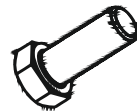
E



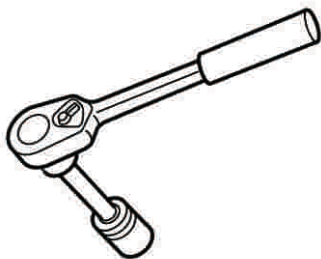
F



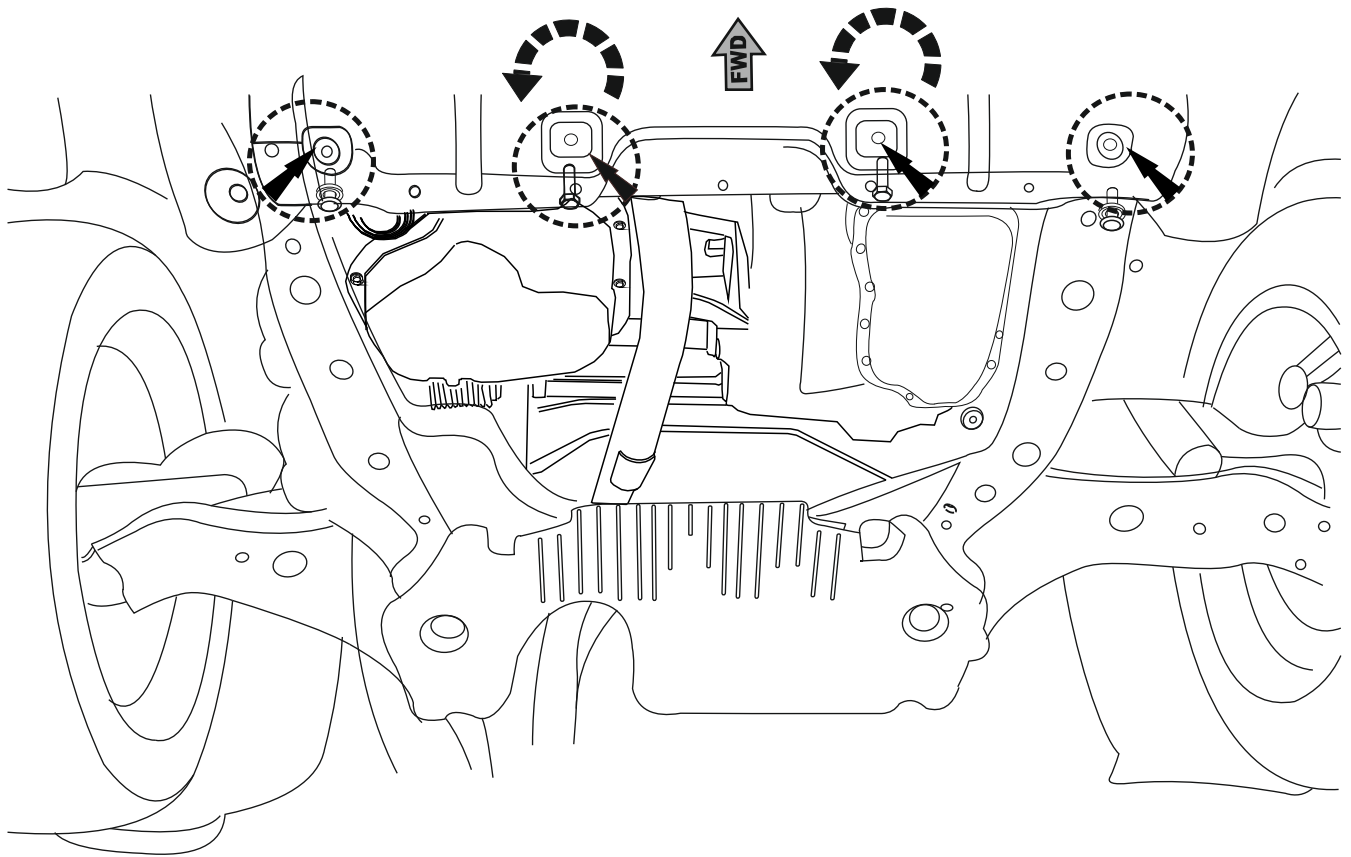
G



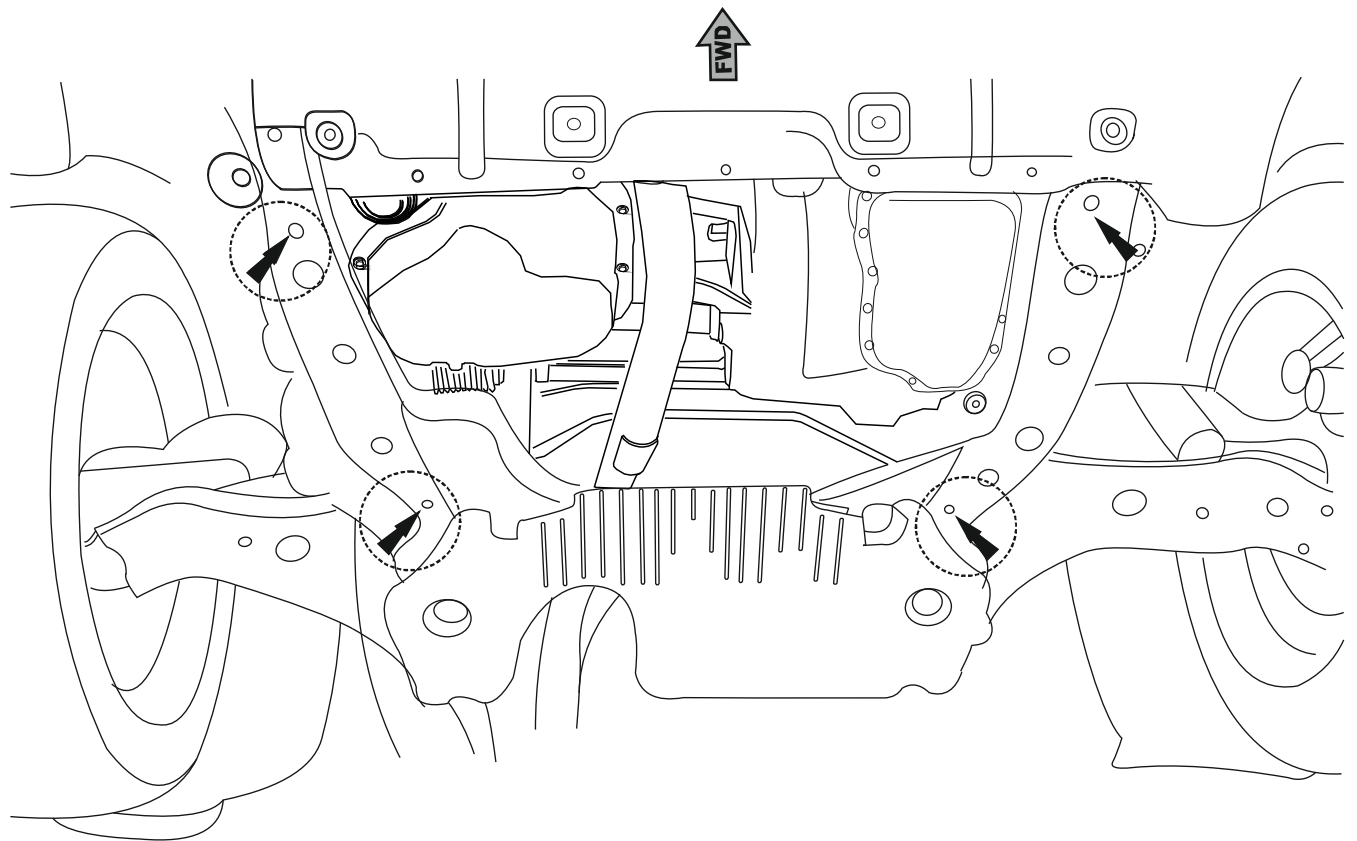
H



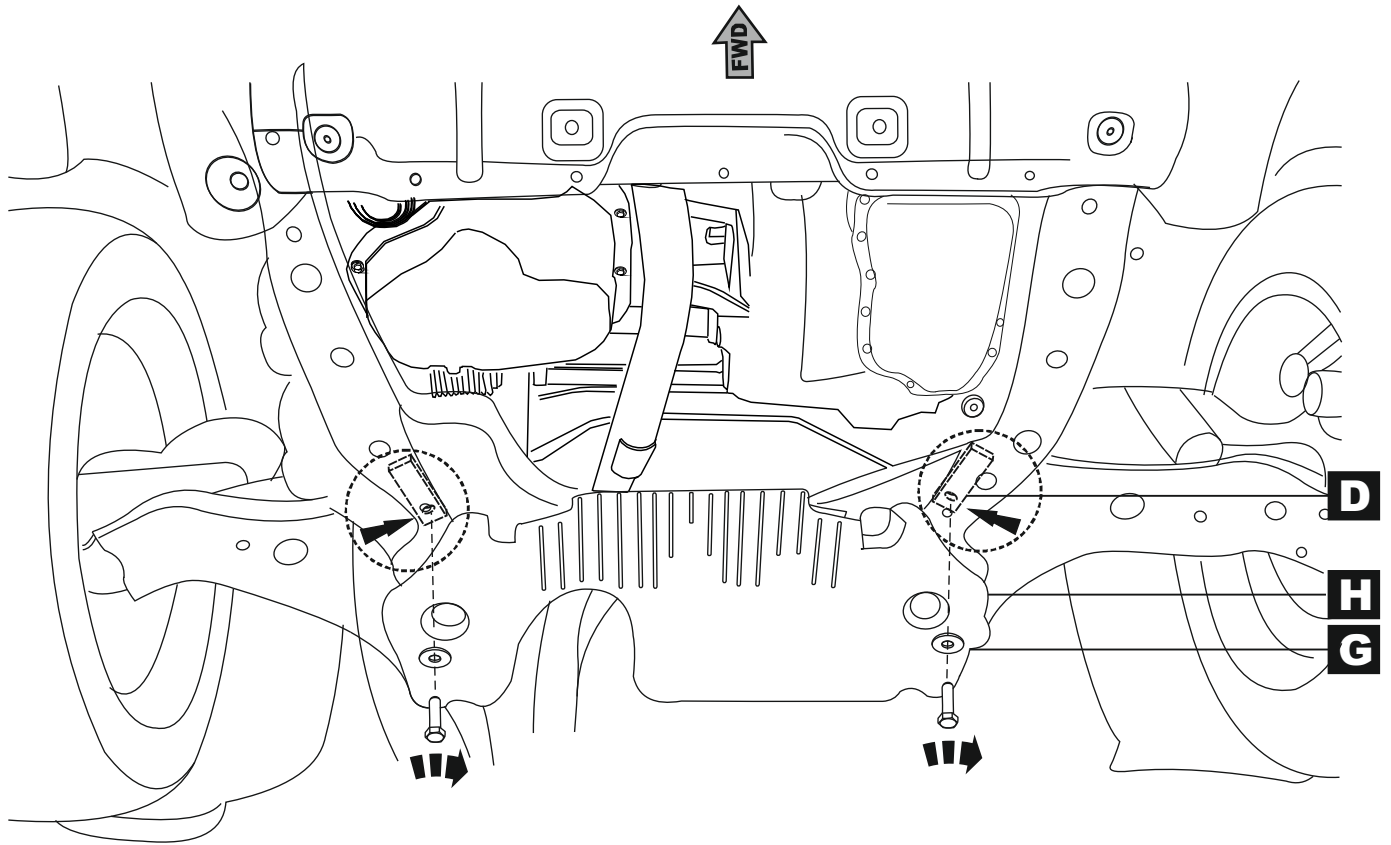
1



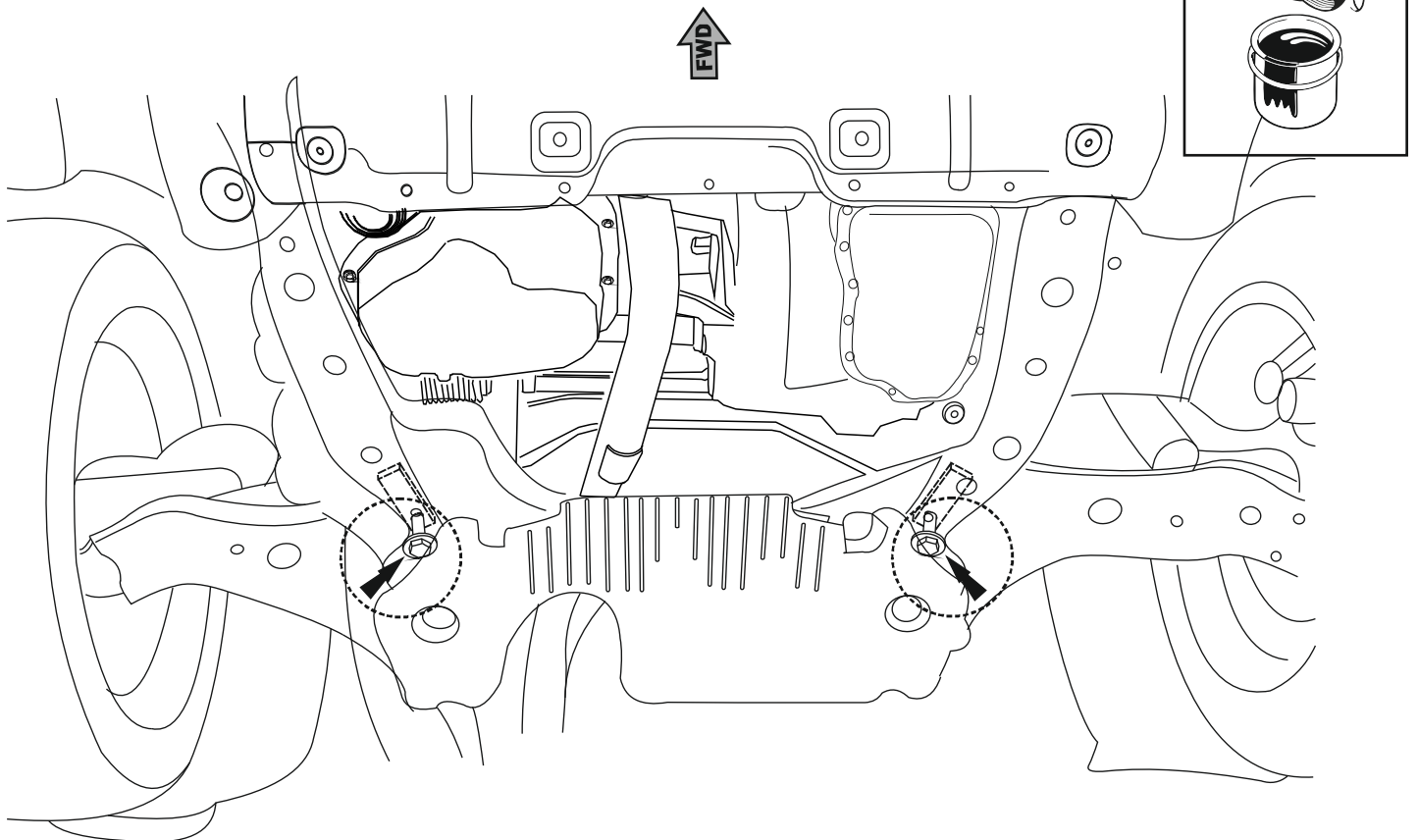
2



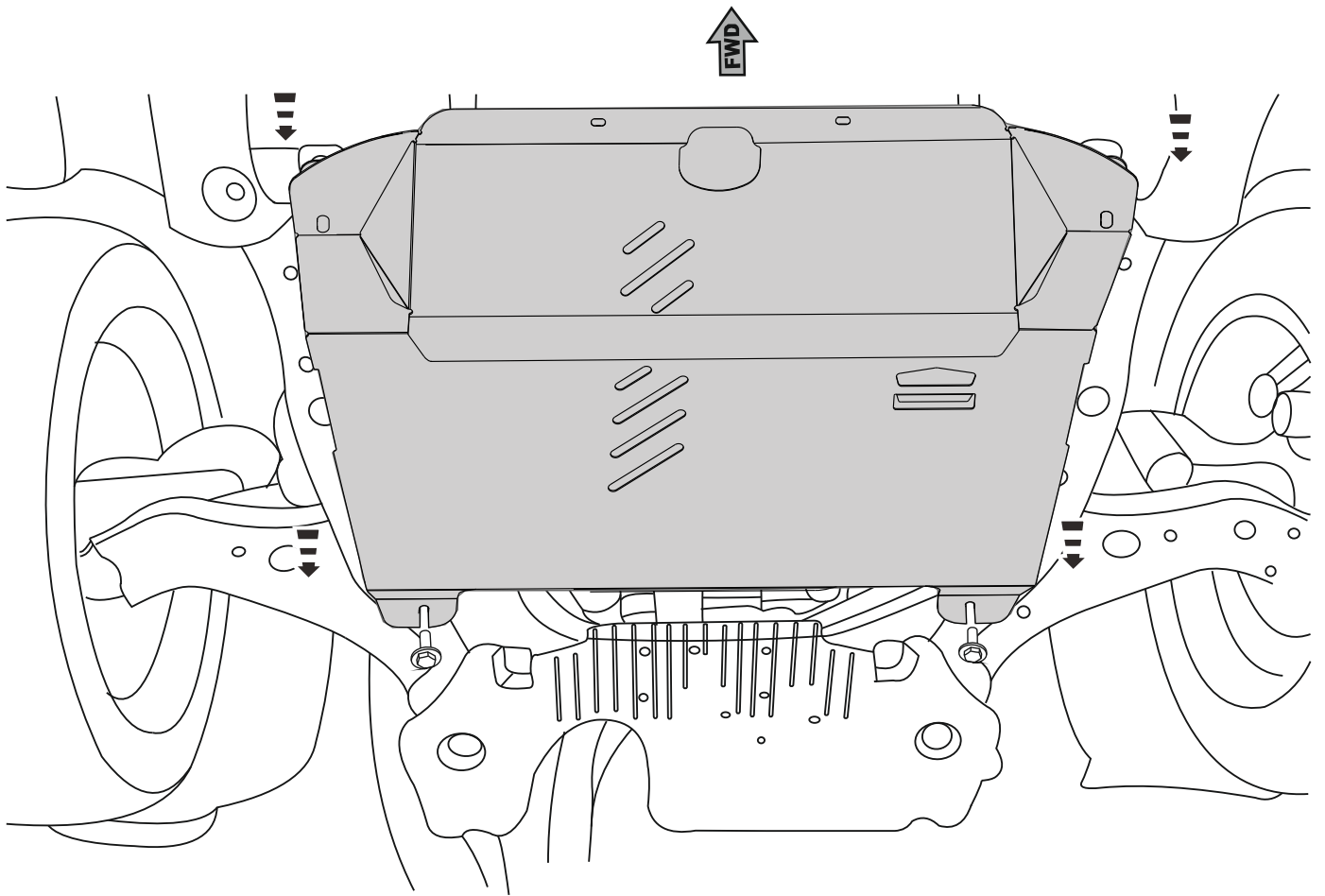
3



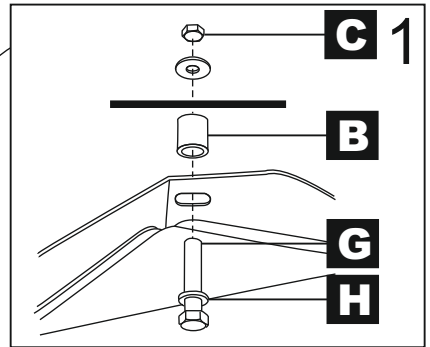
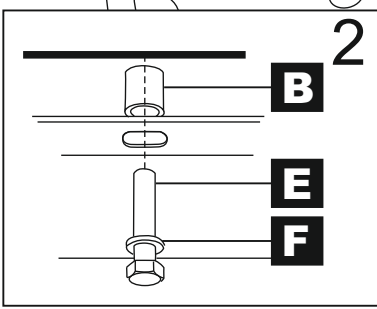
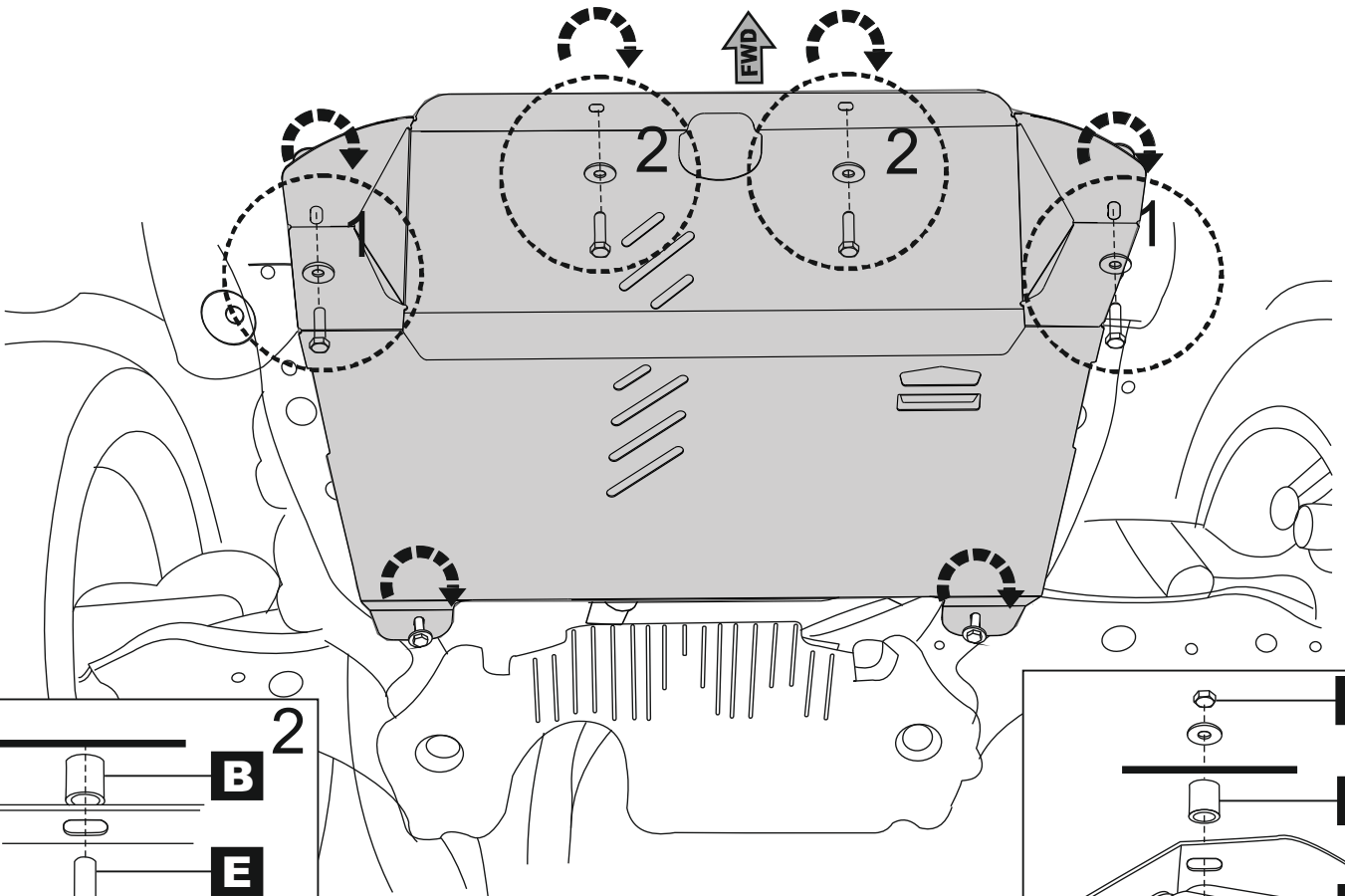
4



5



6



7

