

# Installation instructions for PZ4AL-01820-00

## Under Run Protective Shield engine bay and transmission case

### TOYOTA Prius



### TOYOTA Corolla

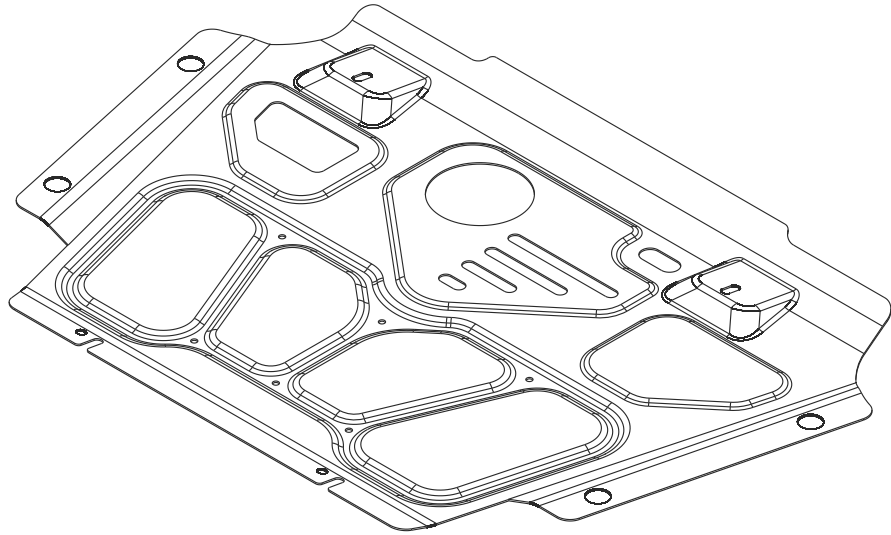


### TOYOTA Auris



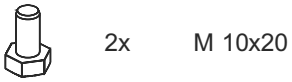
Model Year	2009-	2007-	2009-
Vehicle Code	ZVW30L-AHXEBW	ZRE151L-AEFDKW ZRE151L-AEFNKW ZRE151L-AEPDKW ZRE151L-AEPNKW	ZRE151L-DHFDPW ZRE151L-DHPDKW ZRE151L-DHPNKW
Part Number	PZ4AL- 01820- 00	PZ4AL- 01820- 00	PZ4AL- 01820- 00
 Weight	10 Kg	10 Kg	10 Kg
 Installation Time	20 min	20 min	20 min
Manual reference number	AIM 002 017-0	AIM 002 017-0	AIM 002 017-0

**A**



PZ4AL- 01093- 60

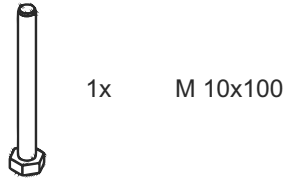
**B1**



**B2**



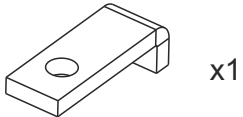
**B3**



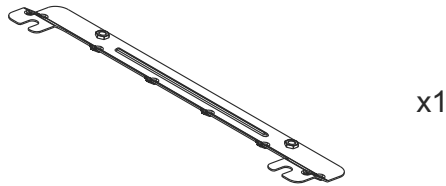
**C**



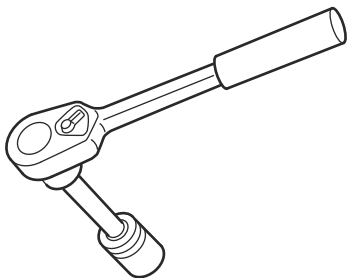
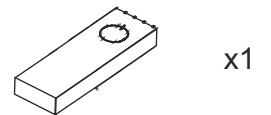
**D**



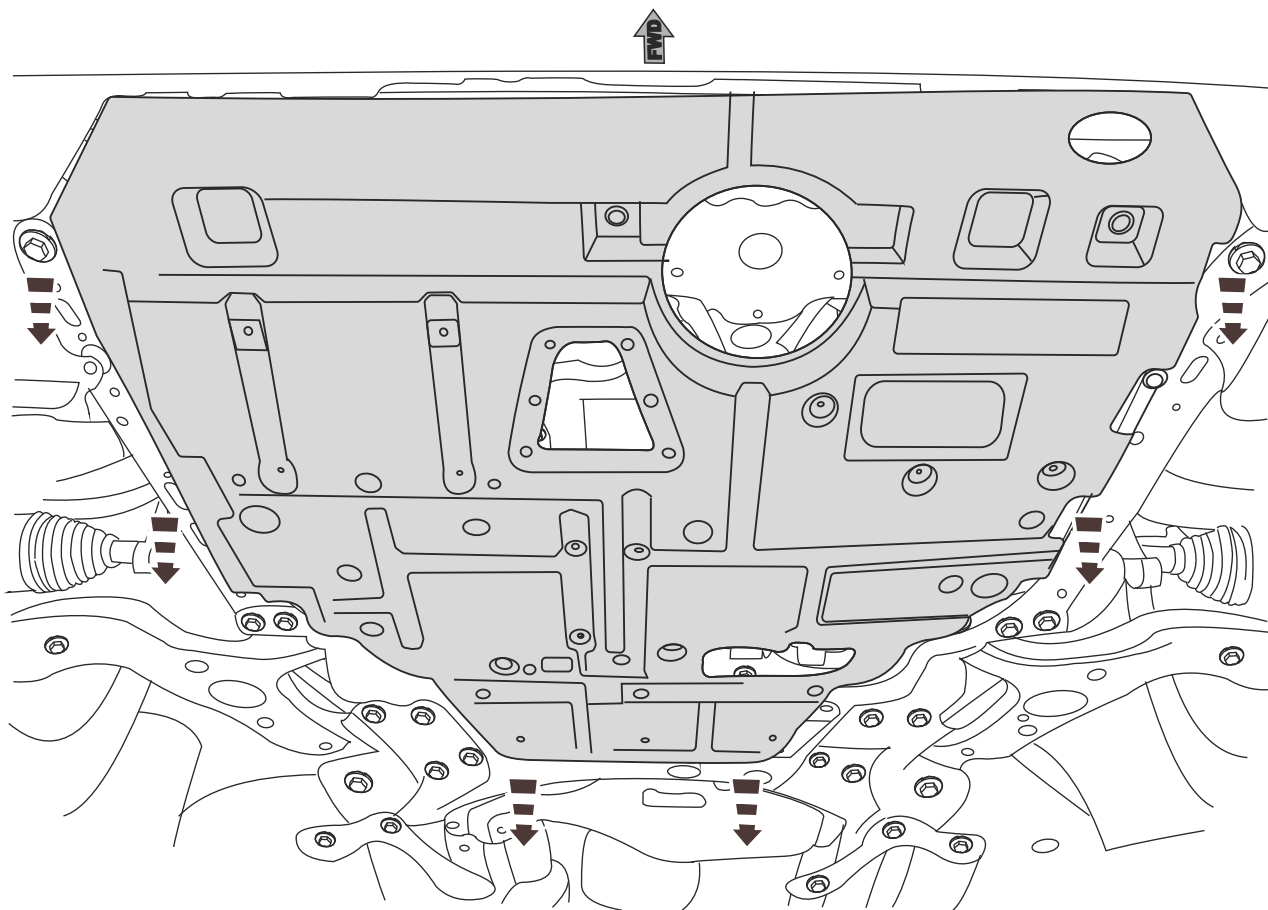
**E**



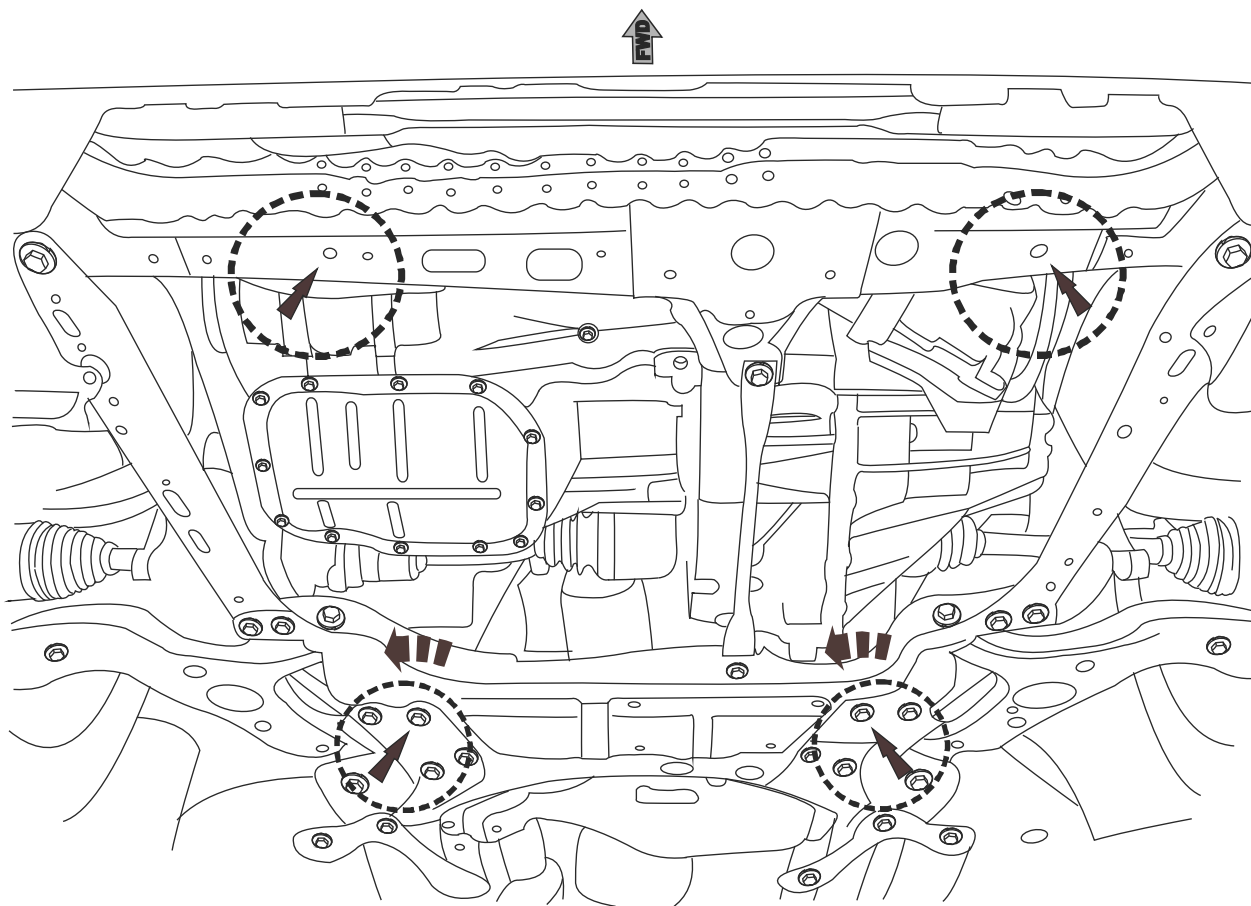
**F**



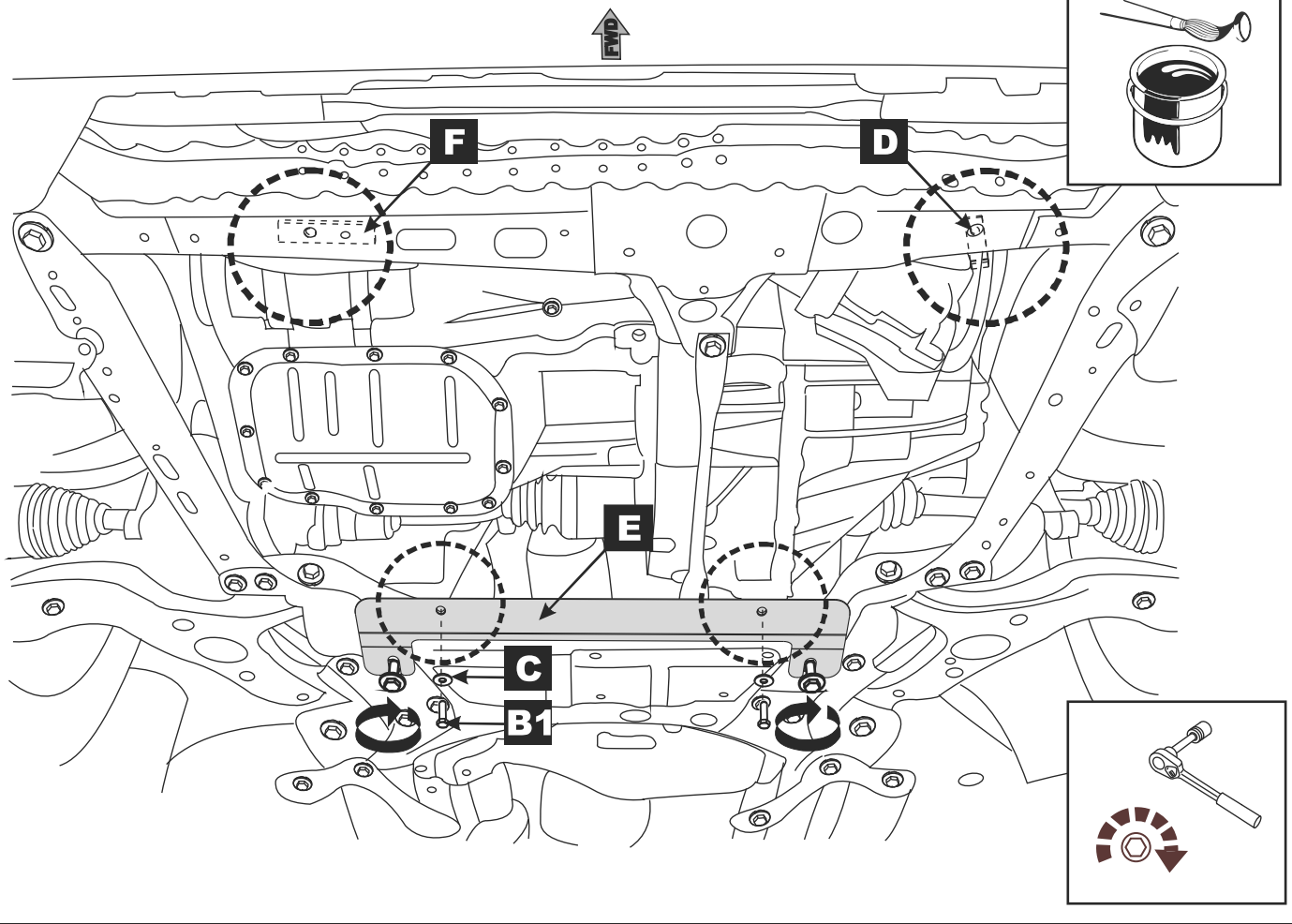
1



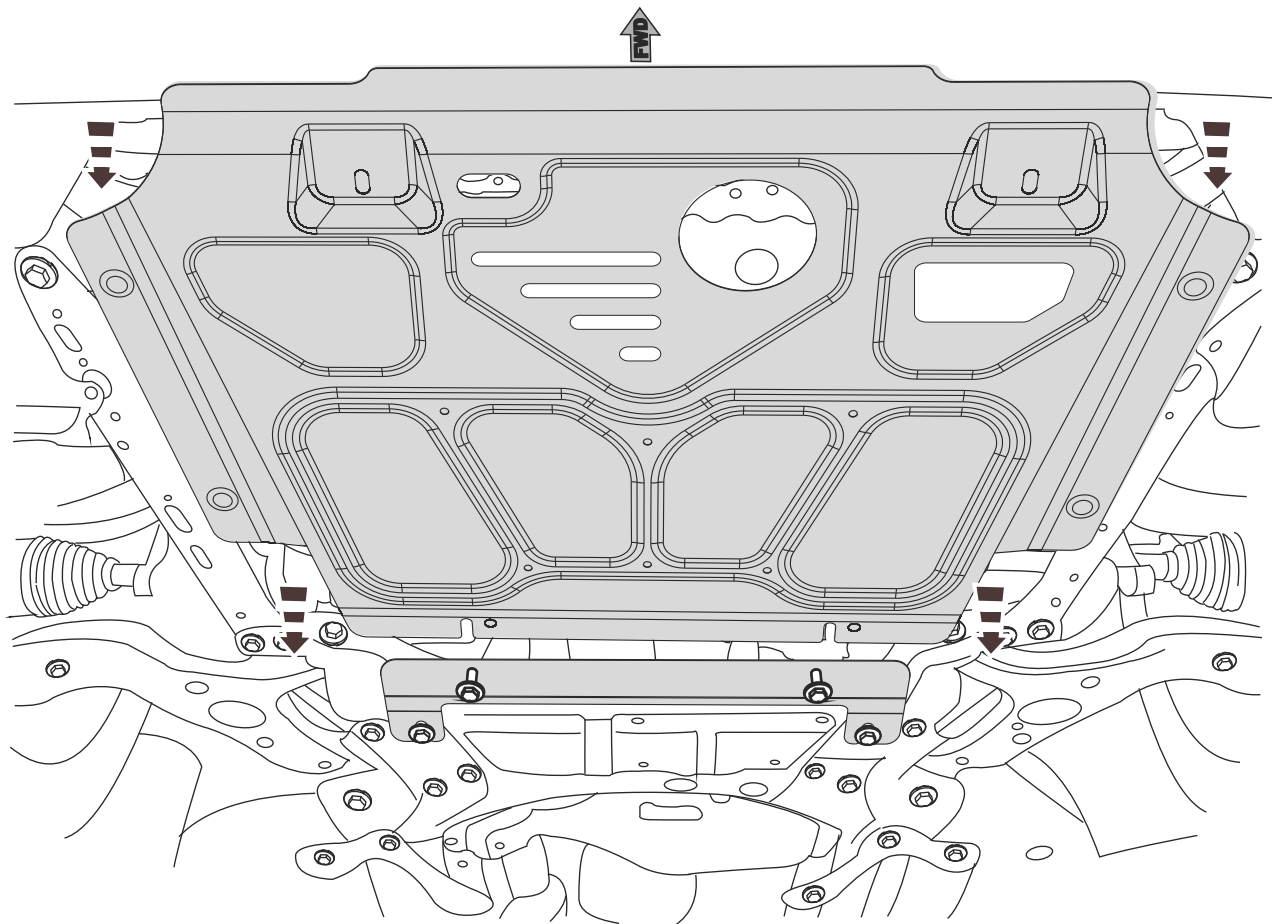
2



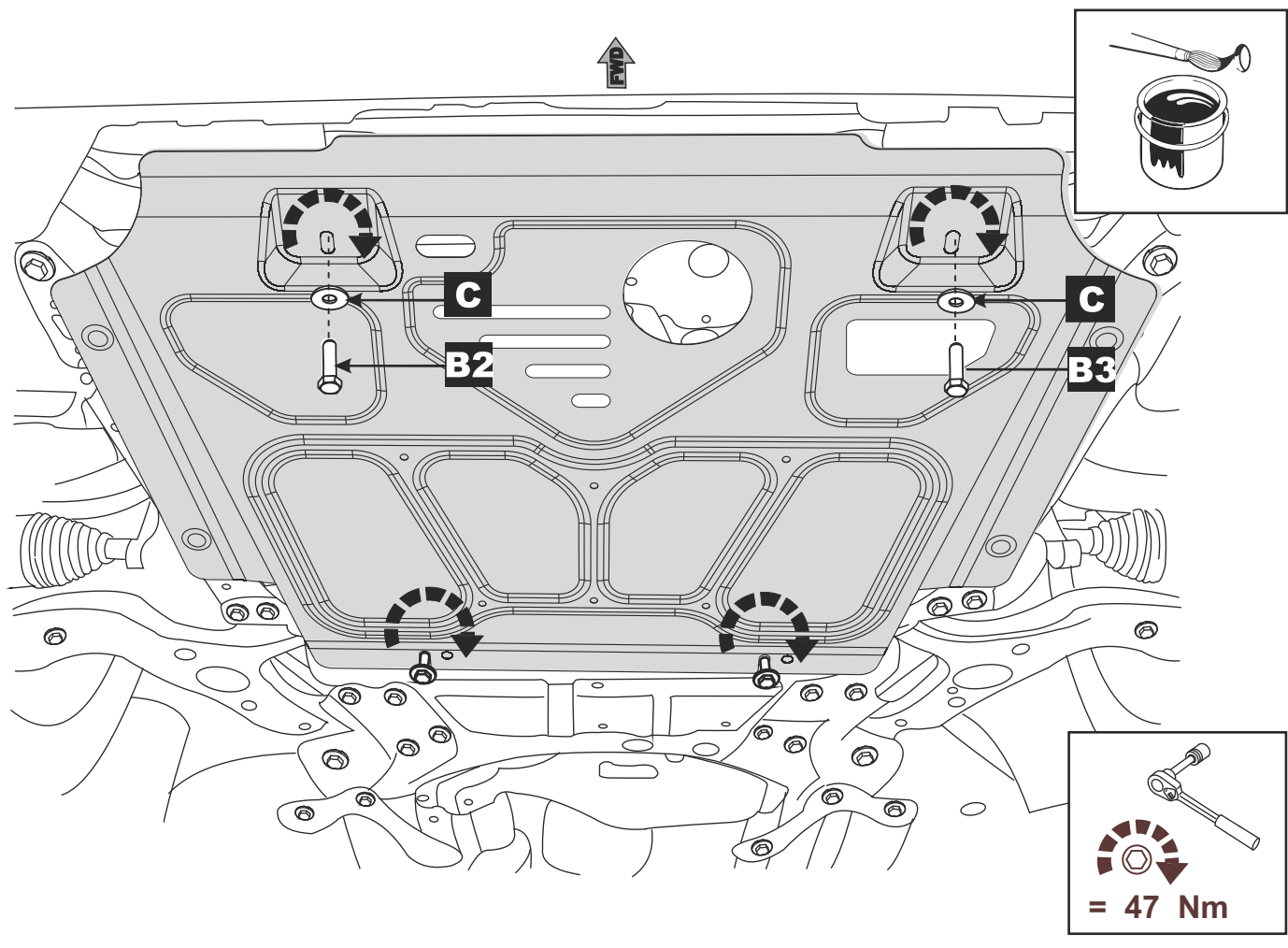
3



4



5



6

