

Installation instructions for PZ4AL- 07690- 00

## **LEXUS GS 300, GS450H**

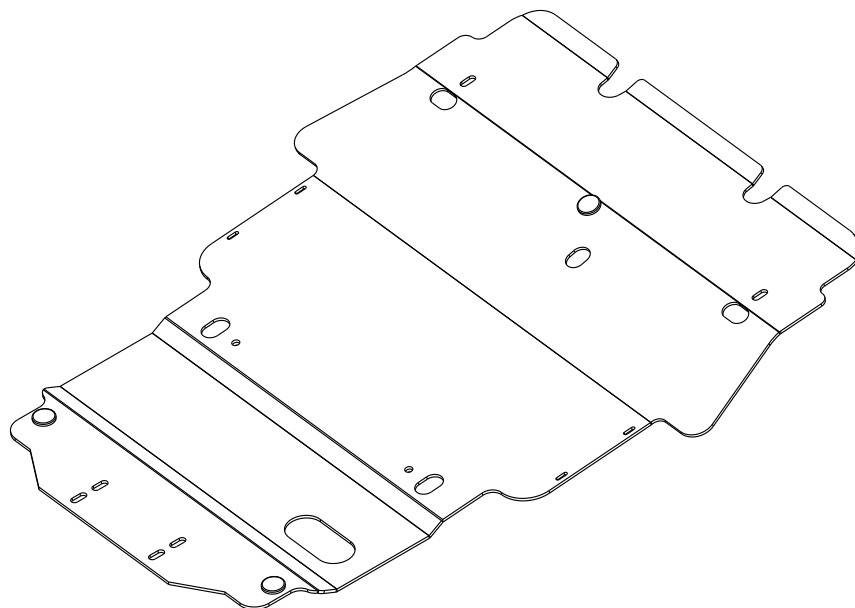
Under Run Protective Shield engine bay



Model Year:	<b>GS 300 - 2005</b>	<b>GS450H - 2005</b>
Vehicle Code:	GRS190L-BETQHW	GWS191L-BEXQHW
Part Number:	PZ4AL- 07690- 00	PZ4AL- 07690- 00
 Weight:	11.3 kg	11.3 kg
 Installation Time:	30 min	30 min
Manual reference number:	AIM 002 048-0	AIM 002 048-0

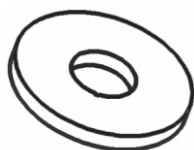
Part number: PZ4AL - 07690 - 00

**A**



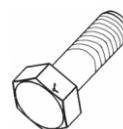
PZ4AL - 07690 - 60

**B**



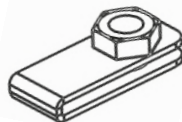
4 x Ø10

**C**

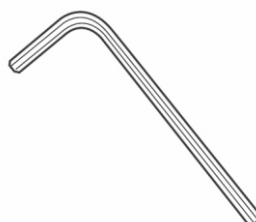
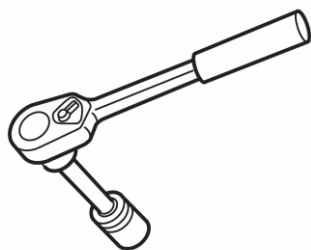


4x M10X30

**D**



4 x



Part number:  
PZ4AL - 07690 - 00

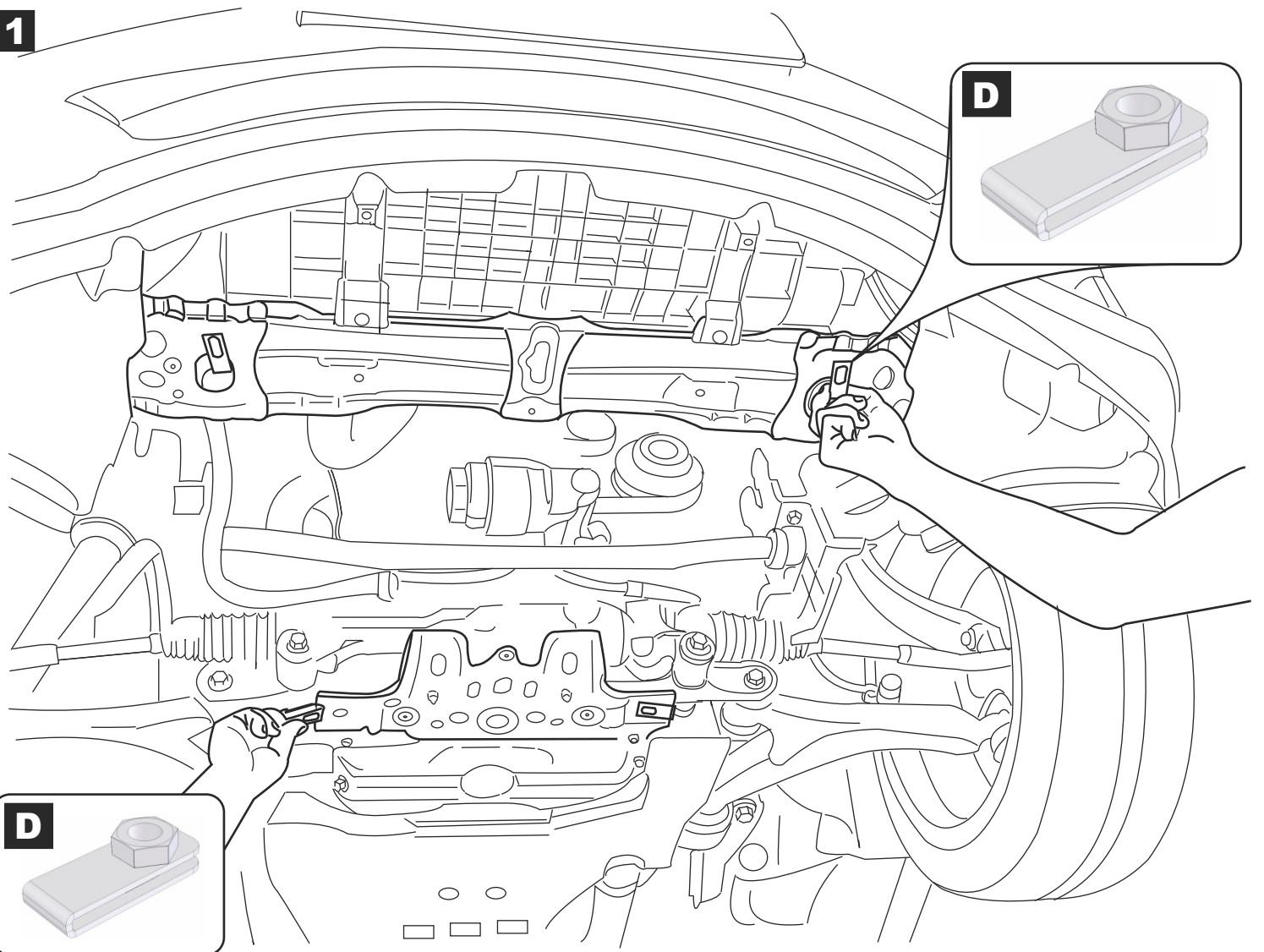
Issue:  
1

Date:  
20/03/09

Manual reference number:  
AIM 002 048-0

Page:  
2/3

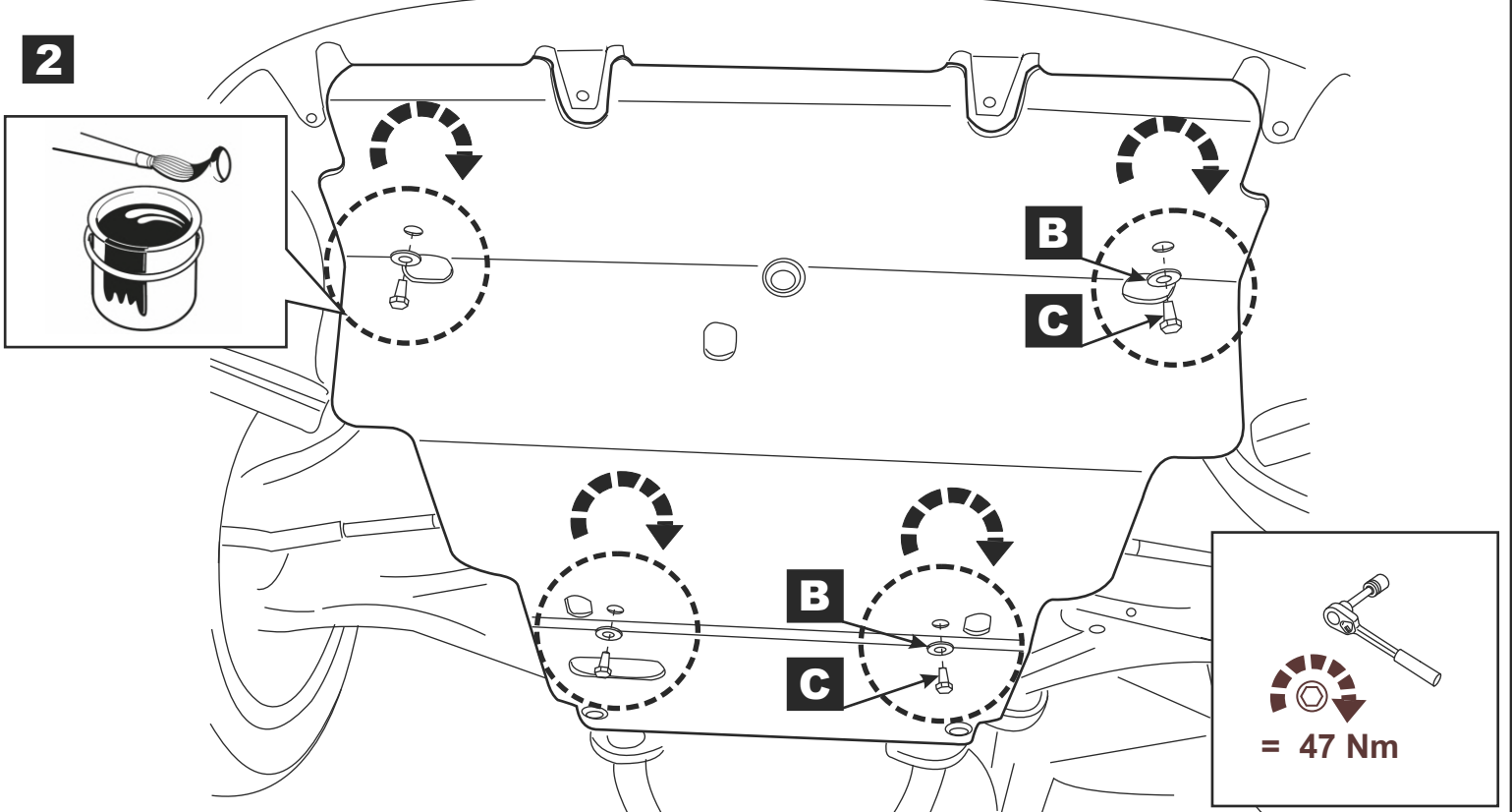
1



D

D

2



B

C

B

C

= 47 Nm