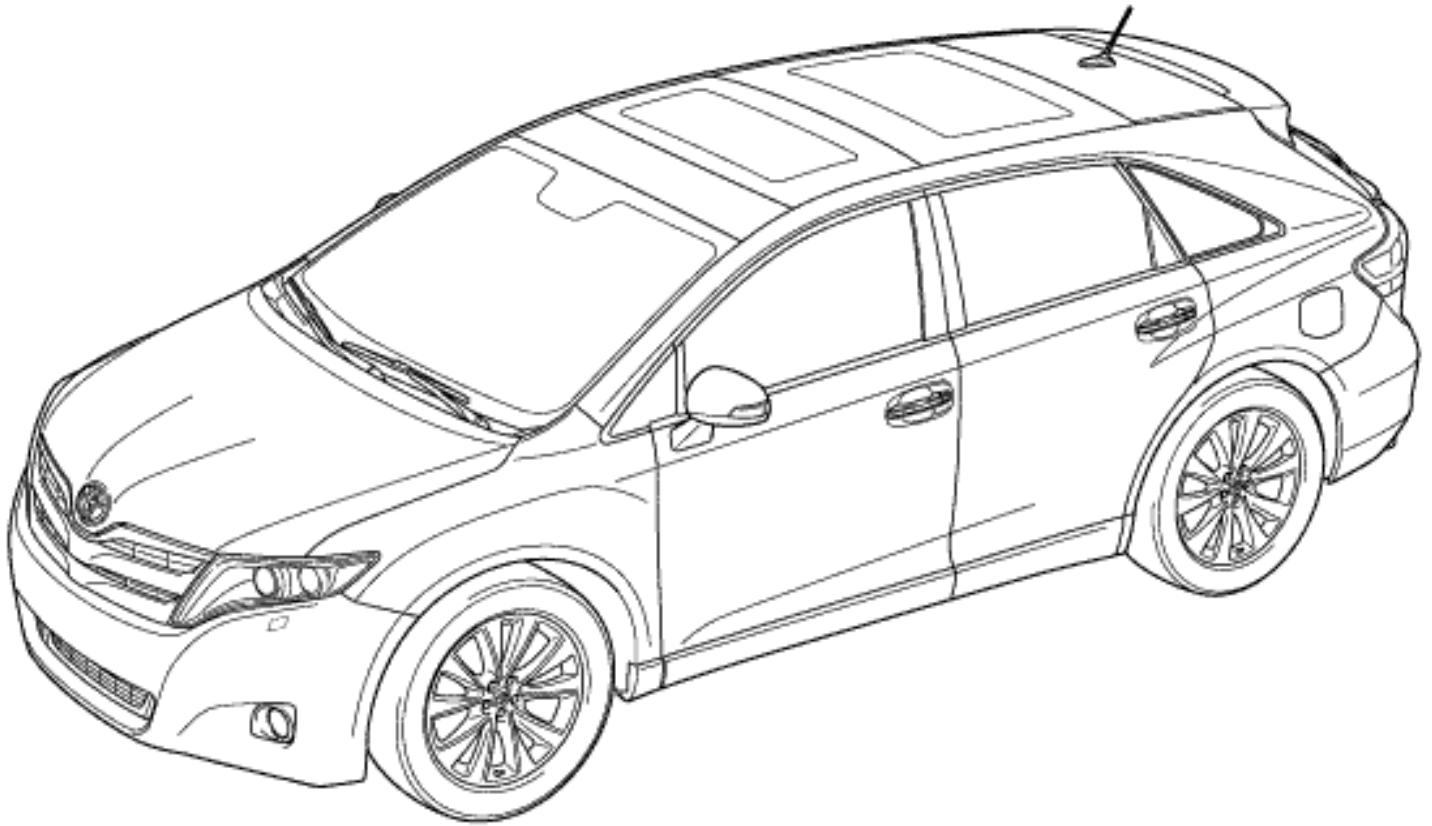


Installation instructions for PZ4AL-02123-00, PZ4AL-02127-00
Under Run Protective Shield Engine Bay and Transmission Case

TOYOTA Venza



Model Year:

2013-

Vehicle Code:

AGV10L-AWTGKC
AGV15L-AWTGKC

Part Number:

Steel: PZ4AL-02123-00
Aluminium: PZ4AL-02127-00



Weight:

Steel: 7,6 kg
Aluminium: 4,6 kg

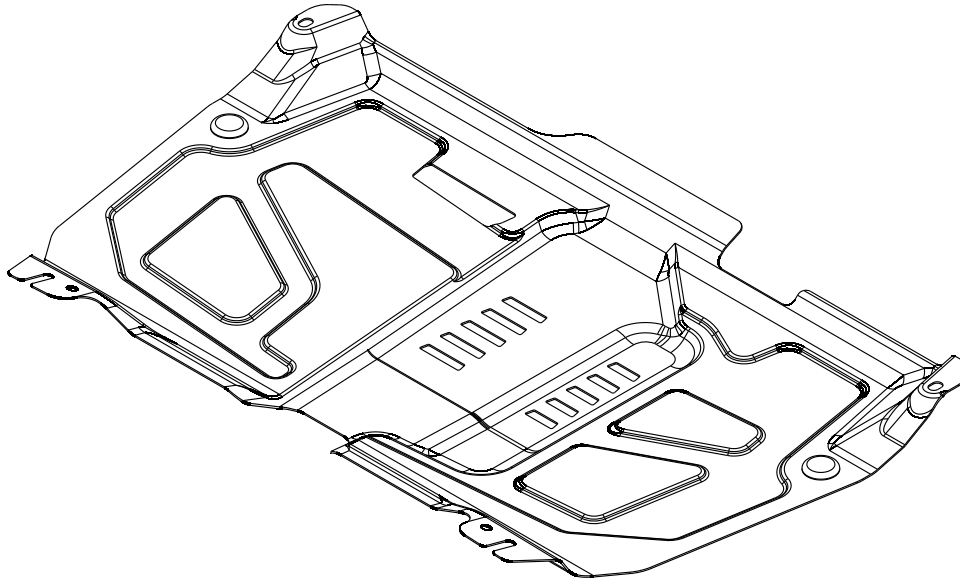


Installation Time:

20 min

PZ4AL-02123-00, PZ4AL-02127-00

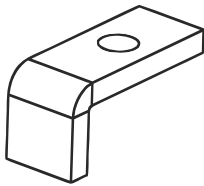
A



1x

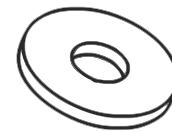
PZ4AL-02123-60

B



2x

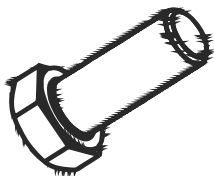
C



Ø 10

6x

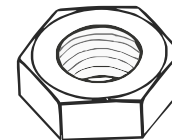
D



M10x80

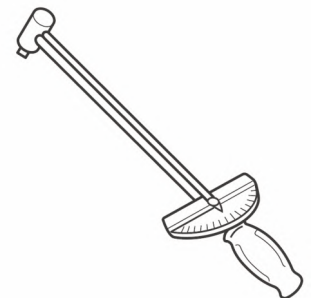
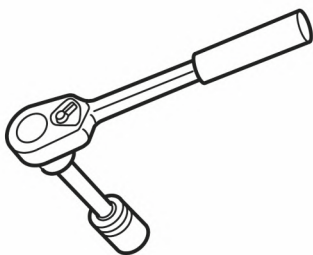
4x

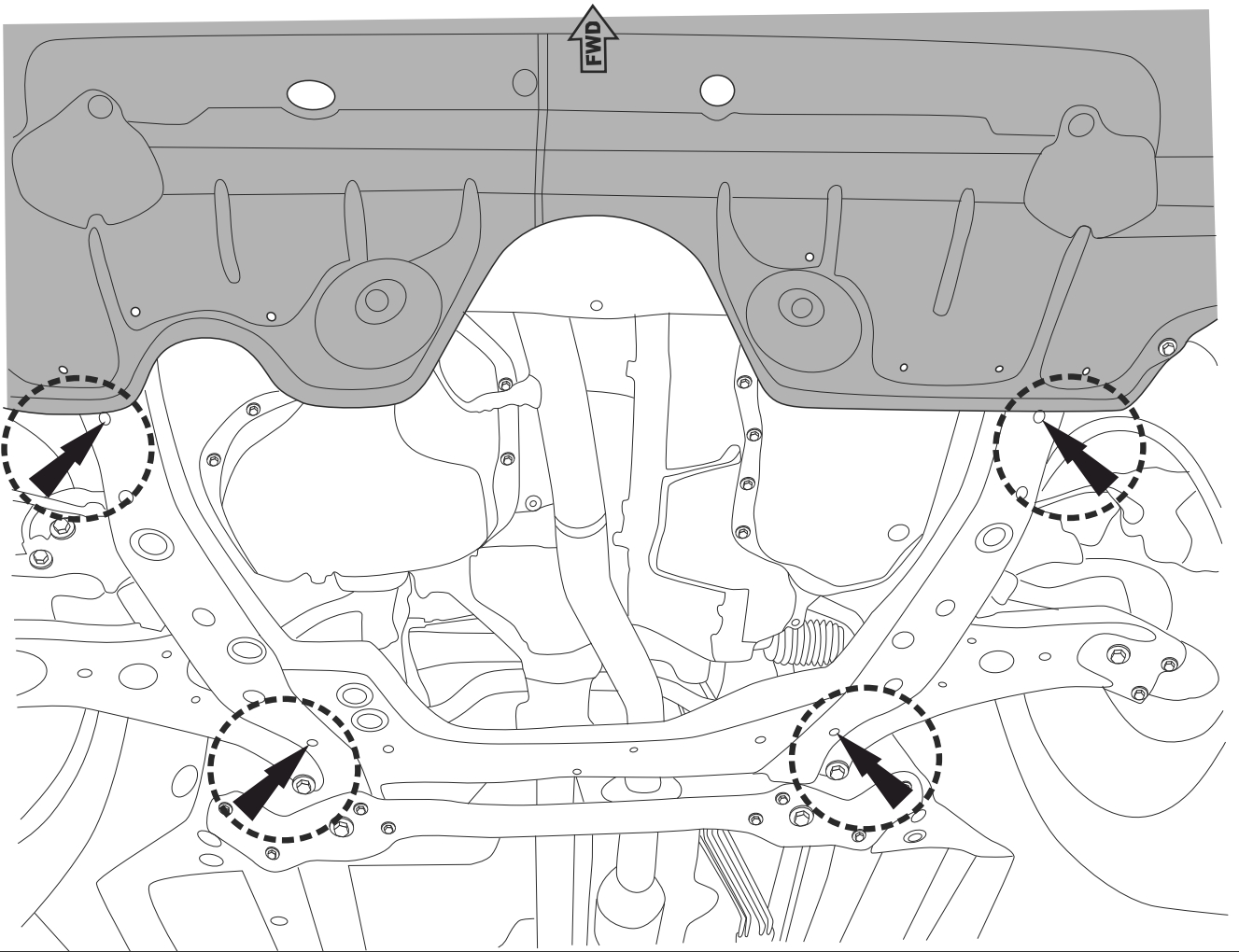
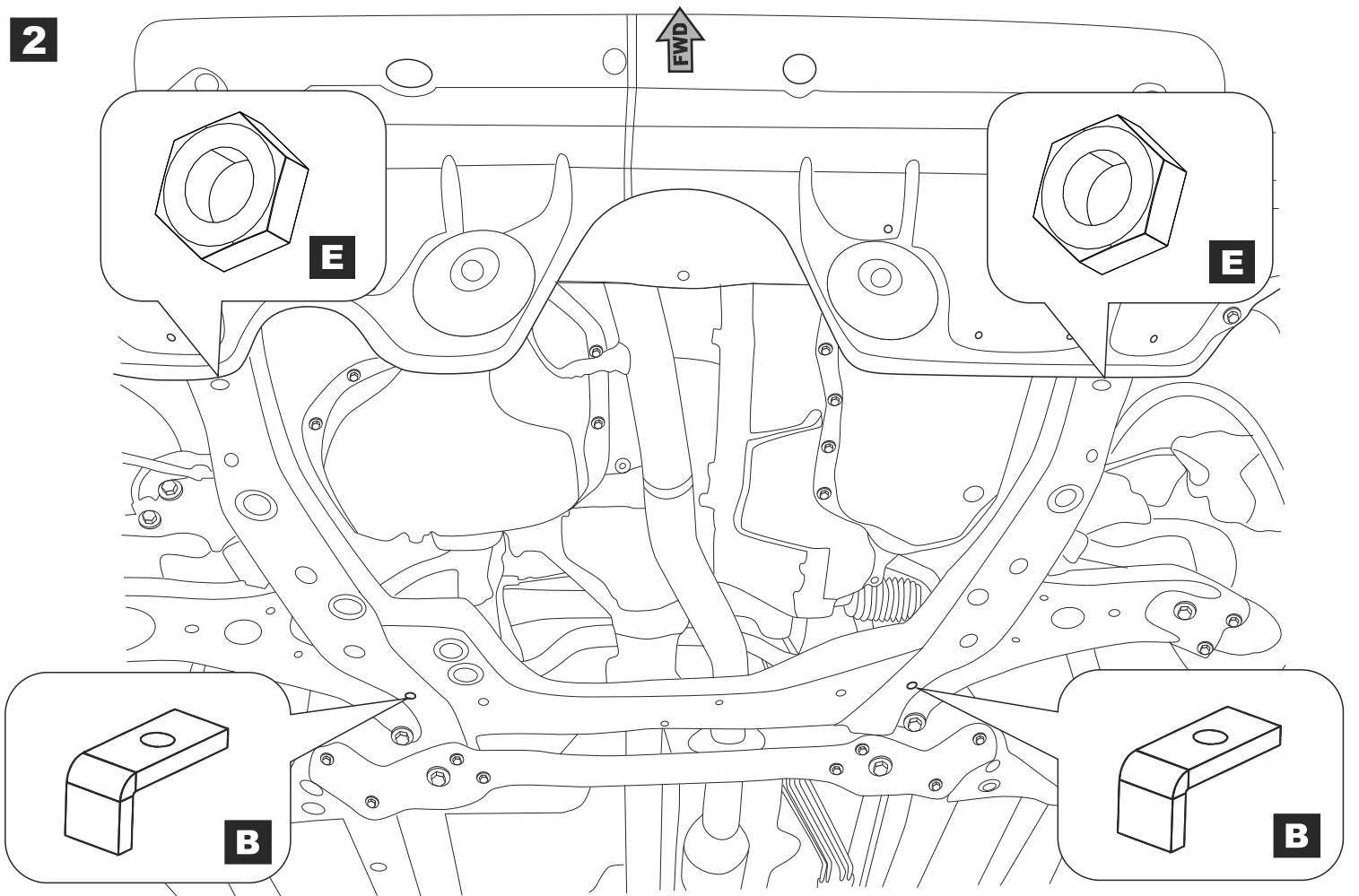
E



M10

2x



1**2**

Part number:
PZ4AL-02123-00
PZ4AL-02127-00

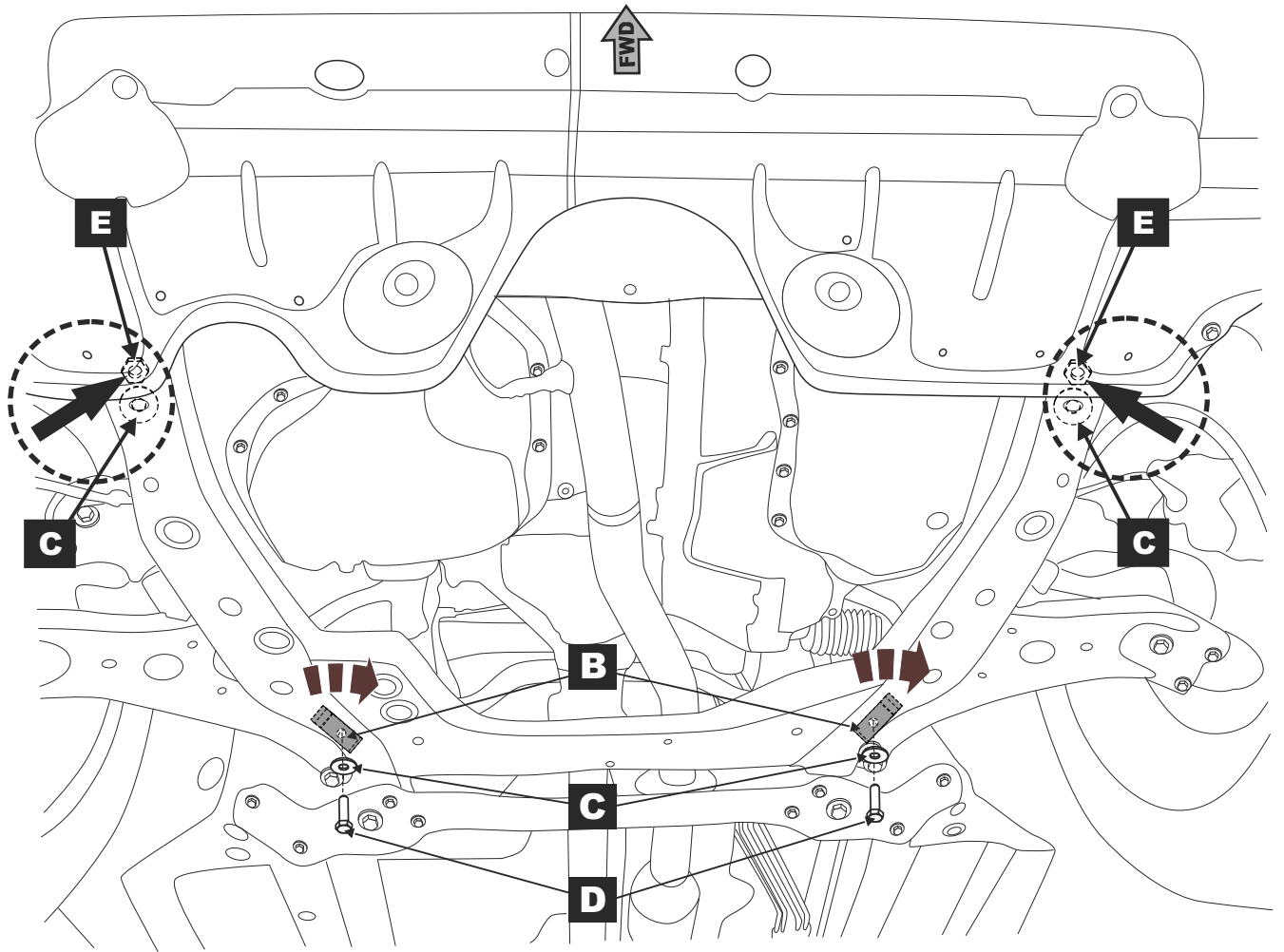
Issue:
0

Date:
06/08/13

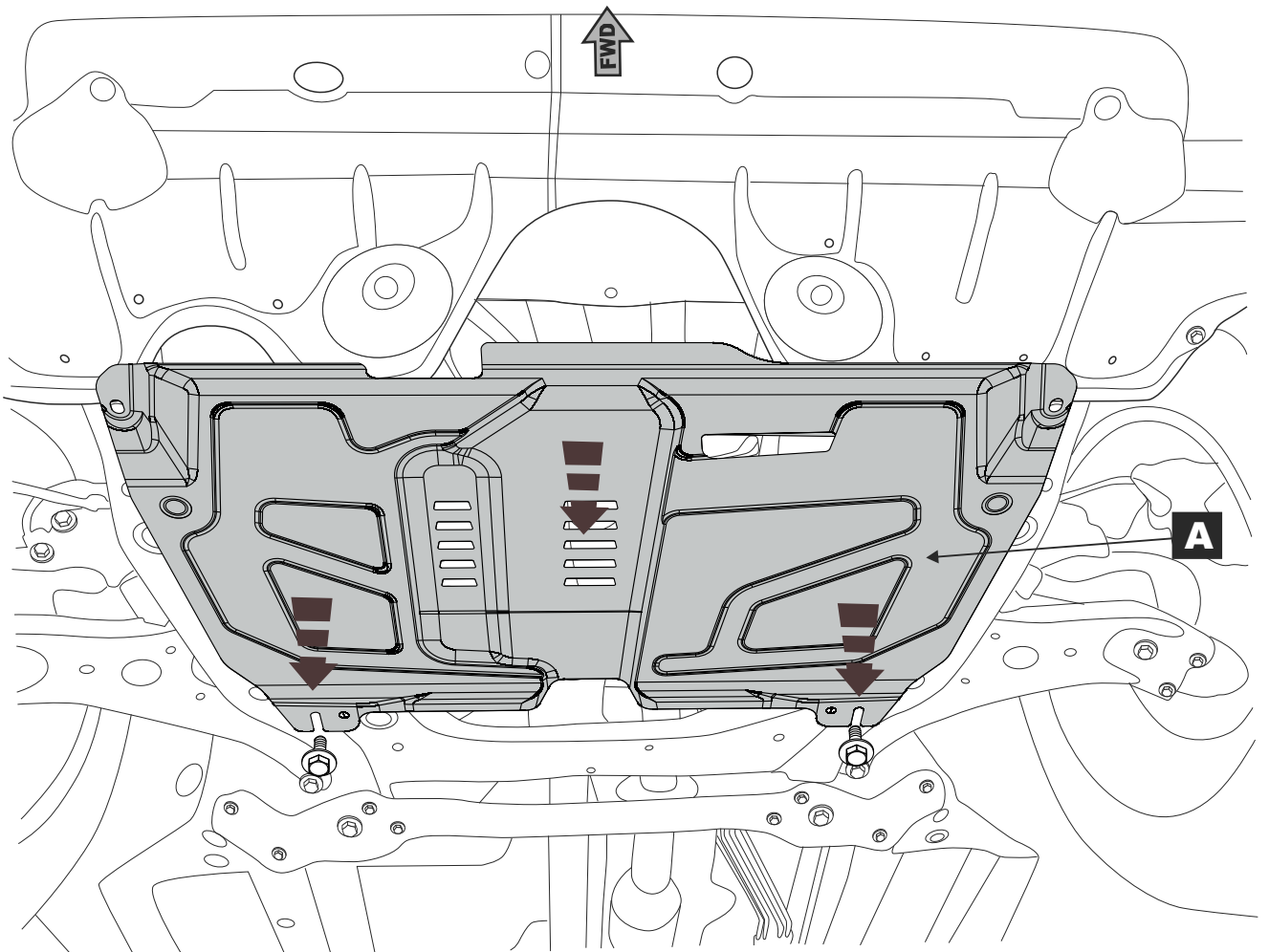
TOYOTA Venza 2013-

Page:
3/6

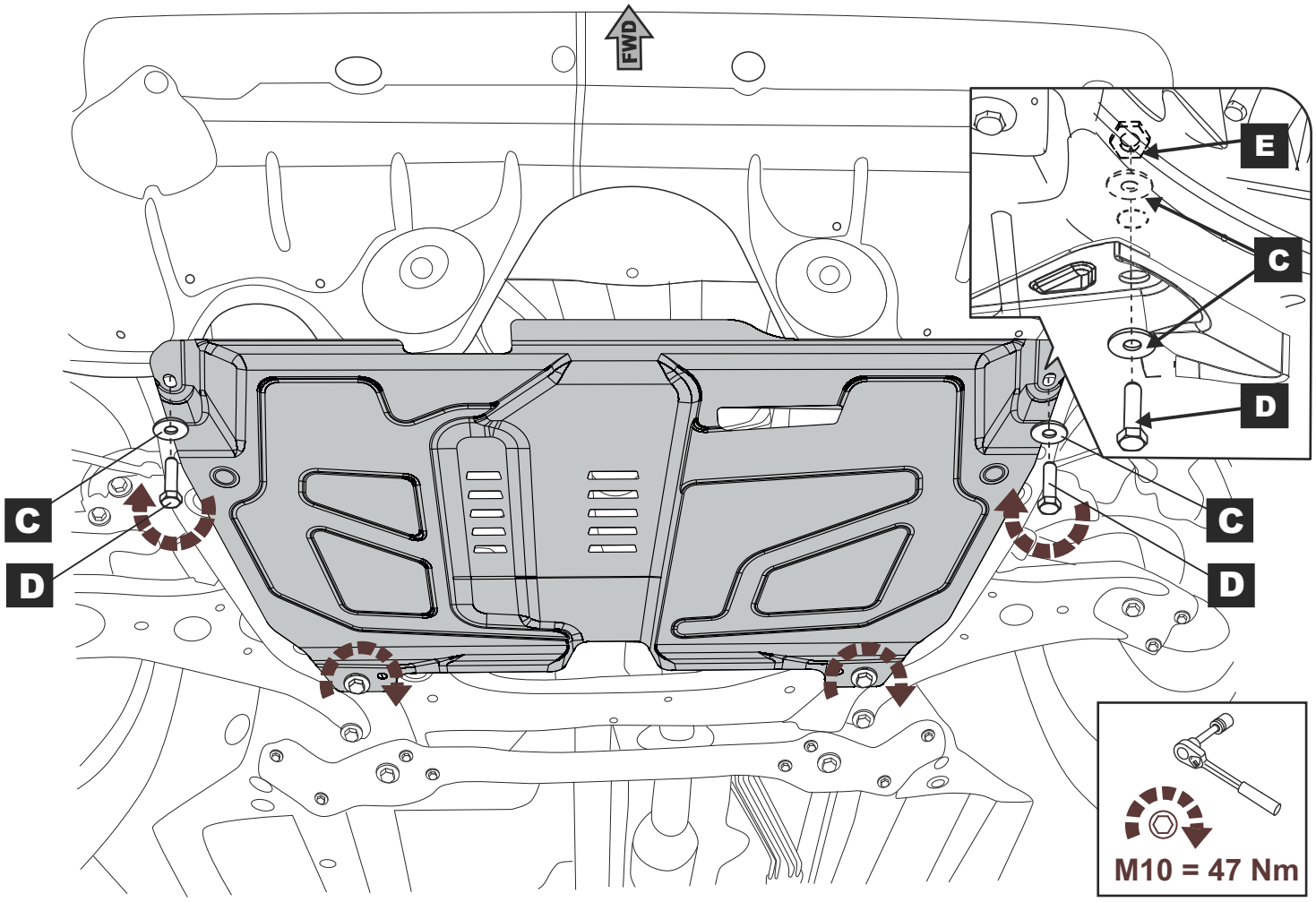
3



4



5



6

