

Installation instructions for PZ4AL-02934-00, PZ4AL-02935-00 Under Run Protective Shield Transmission Case

TOYOTA Hilux



Hilux

Model year:

2015-

Applicability:

GUN125L-DTFSHW; GUN125L-DTFMHW
GUN126L-DTTMHW; GUN126L-DTTHHW

Part Number:

Steel: PZ4AL-02934-00
Aluminium: PZ4AL-02935-00



Weight:

Steel: 7.95 kg
Aluminium: 4.46 kg



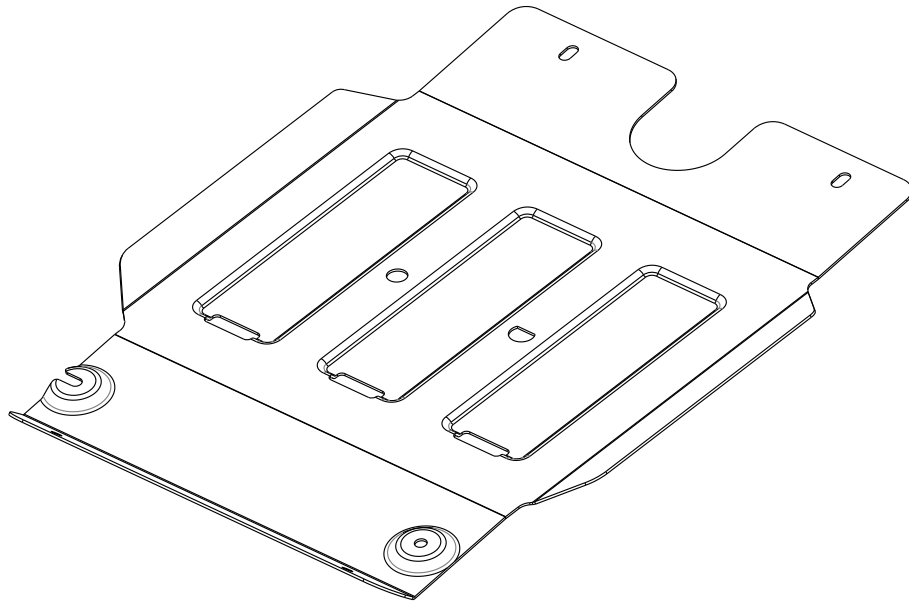
Installation Time:

15 min

Rev.1 14.10.2015

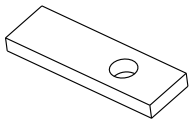
PZ4AL-02934-00, PZ4AL-02935-00

A



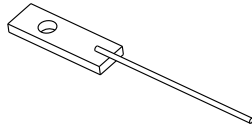
PZ4AL-02934-60

B



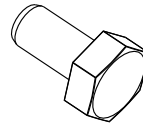
1x

C



1x

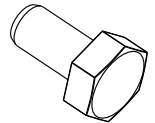
D1



M8x30

2x

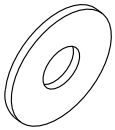
D2



M10x30

2x

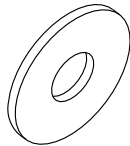
E1



d=8

2x

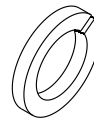
E2



d=10

2x

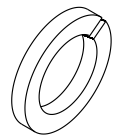
F1



d=8

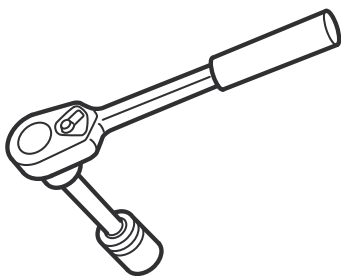
2x

F2



d=10

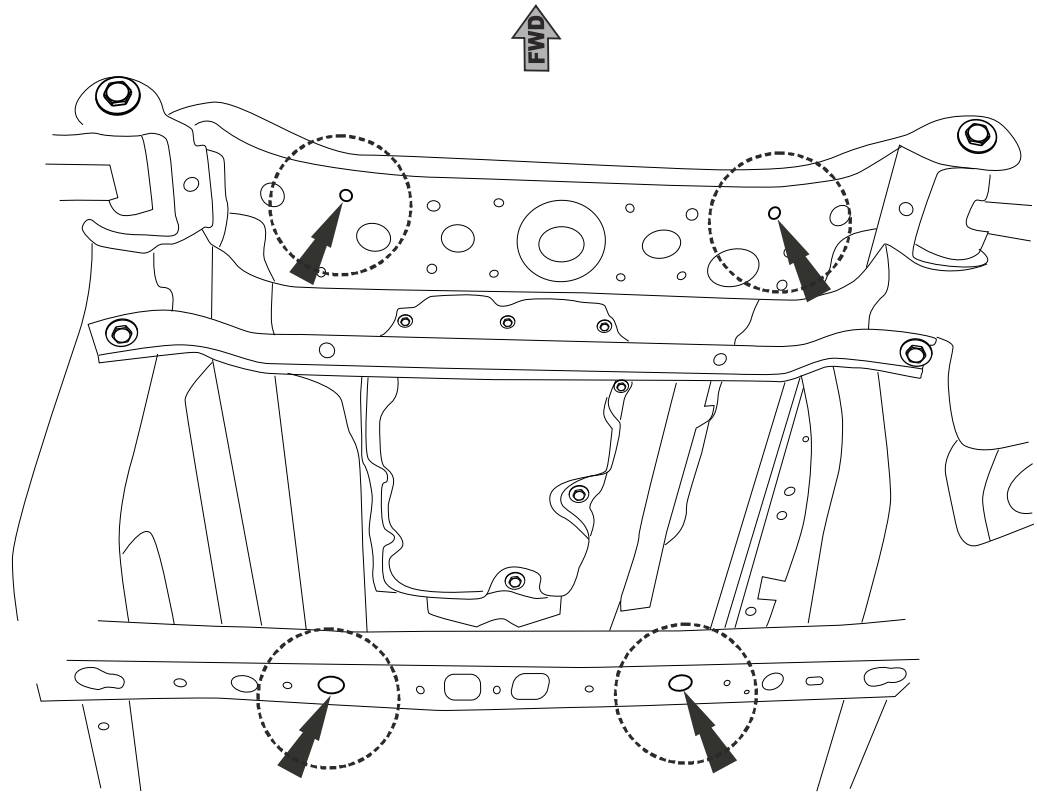
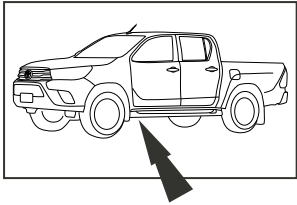
2x



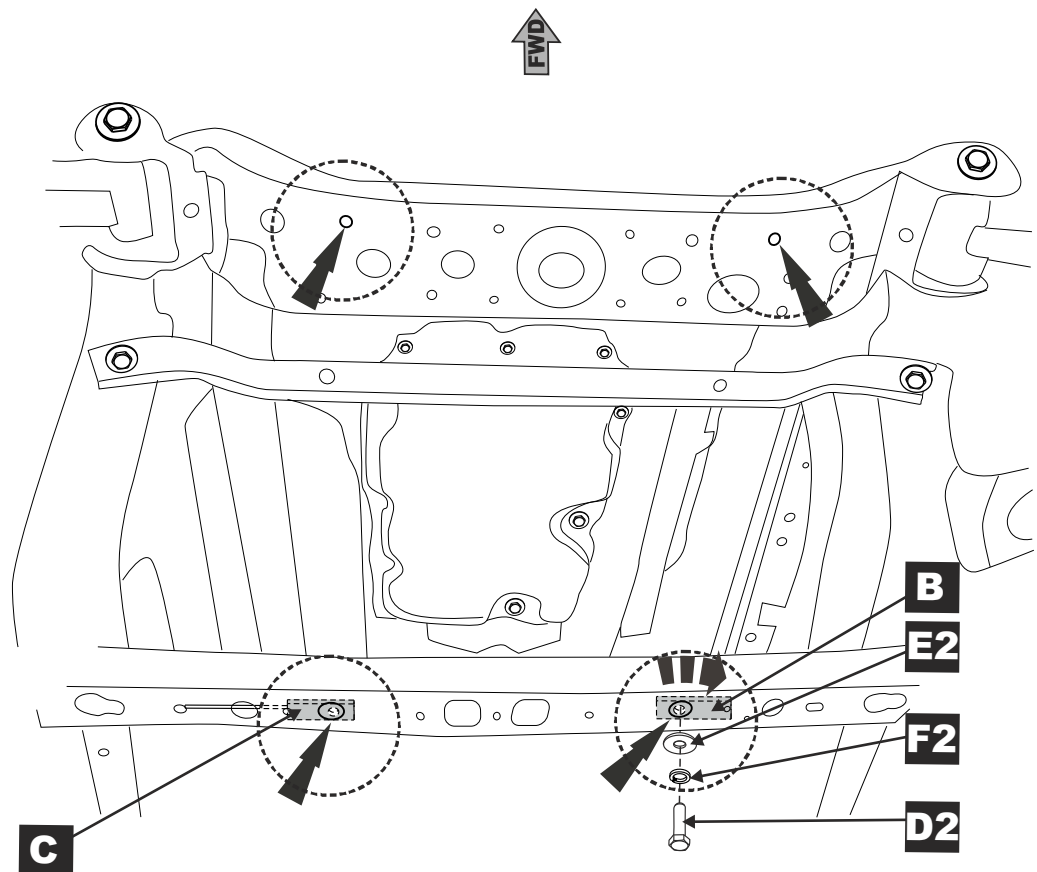
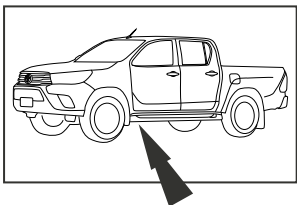
13 mm
17 mm



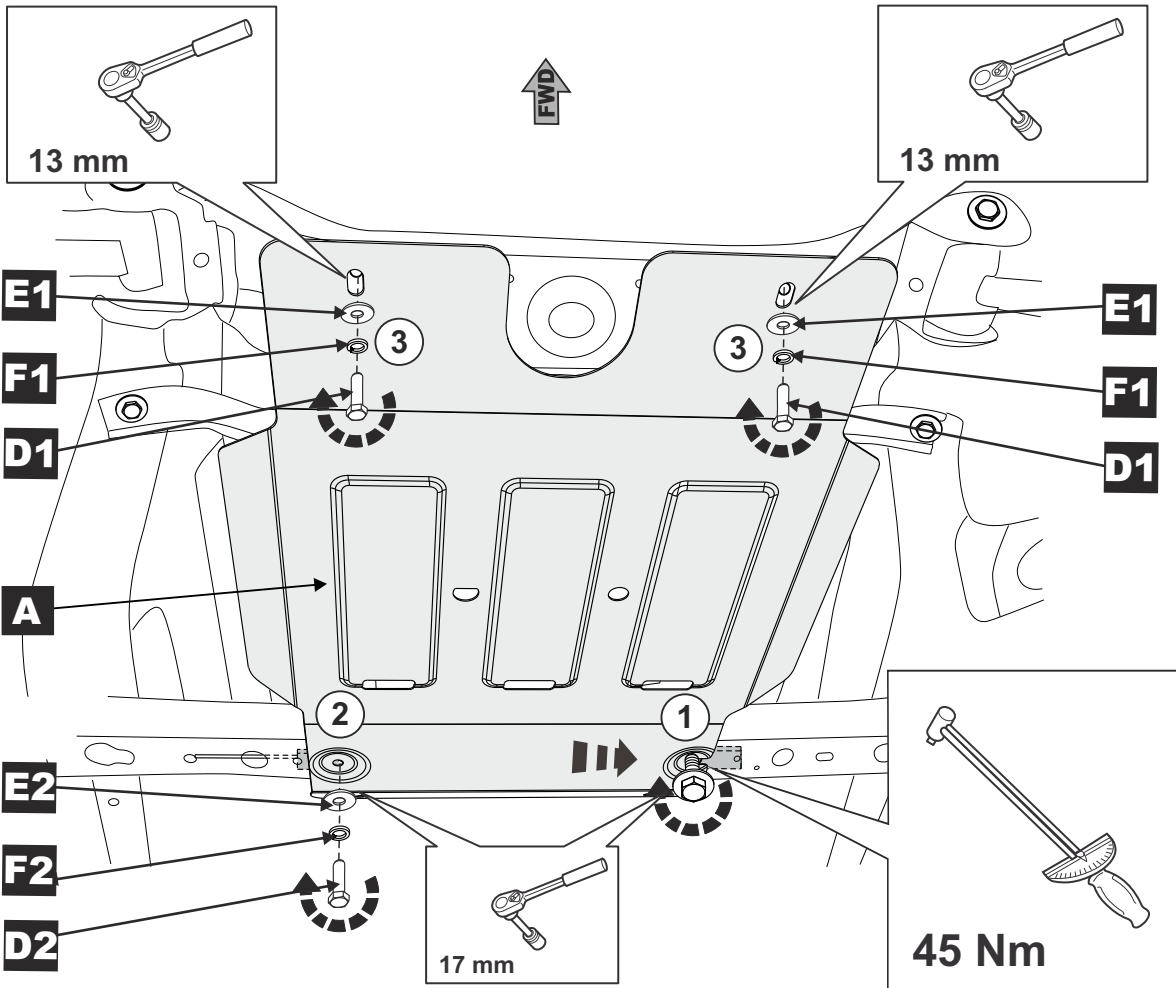
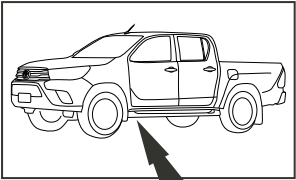
1



2



3



4

